



# LH and GH/GL Series

UNIT COOLERS

Technical Bulletin



Products that provide lasting solutions.

# LH Series Unit Coolers

## Dual Discharge – Low Hite Series

At 9 1/4" maximum height, the LH Series is perfect for low clearance walk-in applications in convenience stores, restaurants, food service or wherever more useable storage space is needed in DRY spaces -20°F and up.

### Standard Features

- Compact design with flush ceiling mount takes up less space, allows more product to be stored on the shelf.
- PSC fan motors are totally enclosed with internal over-heat protection and lifetime lubricated bearings. Motor voltage is 115/1 or 208-230/1.
- Two-way air discharge provides smooth air movement, keeps product fresh longer with less drying and weight loss.
- High efficiency coil with staggered copper tubes for optimum heat transfer and proper system balance.
- All controls are factory wired to a terminal strip for easy installation.

### Optional Features and Accessories

- TEV (Thermostatic Expansion Valve) shipped loose or factory mounted.
- LLSV (Liquid Line Solenoid Valve) loose.
- SLHX (Suction Liquid Heat Exchanger) loose.
- Defrost Time Clock (loose).
- EC motors.

### Defrost Methods

- Air or Off-Cycle for rooms above +34°F.
- Electric for rooms -20°F and above.

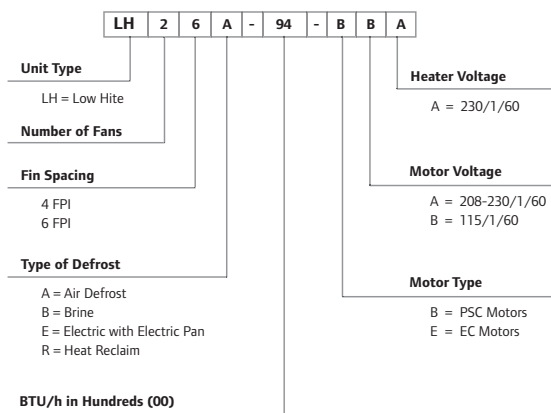
### Specify When Ordering All Models

- Complete model number.
- Refrigerant R22, R404A, or R507.
- Room temperature.
- Optional features.
- Saturated suction temperature.
- Optional accessories.

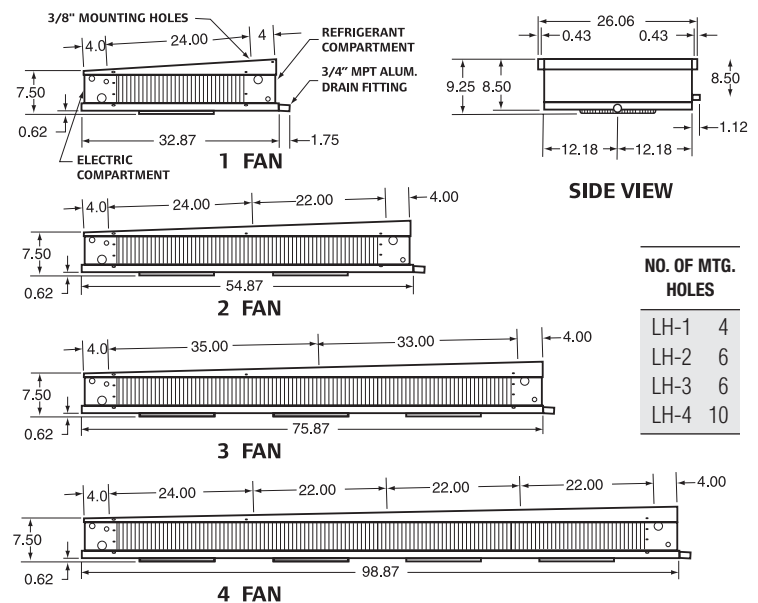
### Common Replacement Parts

AFTERMARKET PART	PART #
PSC MOTOR 115V (standard)	4410804
PSC MOTOR 230V (standard)	4410805
EC MOTOR 115V (optional)	4410691
EC MOTOR 230V (optional)	4410692
GL FAN	4780109
GH/LH FAN	4780111
FAN GUARD	4910219
AIR FILTER	4910217

## Model Key



## Dimensional Data



# LH Series Unit Coolers

## Defrost Standard Velocity Specifications

### AIR DEFROST - MEDIUM TEMPERATURE

MODEL	CAP. (BTUH) @ 10° TD	AIR FLOW (CFM)	CHARGE LBS OF REFRIG	PSC STAN. MOTOR				EC MOTORS OPTIONAL				DIMENSIONS (IN)			SHIPPING WGT. (LBS)
				115/1/60		230/1/60		115/1/60		230/1/60		L	W	H	
				AMPS	WATTS	AMPS	WATTS	AMPS	WATTS	AMPS	WATTS				
<b>6 Fins per Inch</b>															
LH16A-47	4,700	650	2	0.7	78	0.3	79	0.8	49	0.4	49	32.875	26.063	9.250	42
LH26A-94	9,400	1,300	3	1.4	156	0.7	158	1.6	98	0.8	97	54.875	26.063	9.250	70
LH36A-140	14,000	1,950	4	2.1	234	1.0	237	2.3	147	1.3	146	76.875	26.063	9.250	123
LH46A-187	18,700	2,600	5	2.8	312	1.4	316	3.1	196	1.7	194	98.875	26.063	9.250	164
<b>4 Fins per Inch</b>															
LH14A-36	3,600	683	2	0.7	78	0.3	79	0.8	49	0.4	49	32.875	26.063	9.250	38
LH24A-73	7,300	1,365	3	1.4	156	0.7	158	1.6	98	0.8	97	54.875	26.063	9.250	64
LH34A-109	10,900	2,048	4	2.1	234	1.0	237	2.3	147	1.3	146	76.875	26.063	9.250	105
LH44A-145	14,500	2,730	5	2.8	312	1.4	316	3.1	196	1.7	194	98.875	26.063	9.250	146

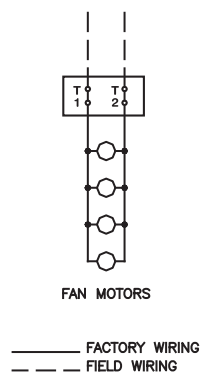
### \*ELECTRIC DEFROST - LOW TEMPERATURE

MODEL	CAP. (BTUH) @ 10° TD		AIR FLOW (CFM)	CHARGE LBS OF REFRIG	PSC STAN. MOTOR				EC MOTORS OPTIONAL				HEATERS		SHIPPING WGT. (LBS)
	-20° SST	+20° SST			115/1/60		230/1/60		115/1/60		230/1/60		230/1		
	AMPS	WATTS			AMPS	WATTS	AMPS	WATTS	AMPS	WATTS	AMPS	WATTS			
<b>6 Fins per Inch</b>															
LH16E-43	4,300	4,700	650	2	0.7	78	0.3	79	0.8	49	0.4	49	7.8	1500	44
LH26E-86	8,600	9,400	1,300	3	1.4	156	0.7	158	1.6	98	0.8	97	13.0	2500	73
LH36E-129	12,900	14,000	1,950	4	2.1	234	1.0	237	2.3	147	1.3	146	18.3	3500	127
LH46E-171	17,100	18,700	2,600	5	2.8	312	1.4	316	3.1	196	1.7	194	23.5	4500	169
<b>4 Fins per Inch</b>															
LH14E-33	3,600	3,600	683	2	0.7	78	0.3	79	0.8	49	0.4	49	7.8	1500	40
LH24E-67	7,300	7,300	1,365	3	1.4	156	0.7	158	1.6	98	0.8	97	13.0	2500	67
LH34E-100	10,900	10,900	2,048	4	2.1	234	1.0	237	2.3	147	1.3	146	18.3	3500	109
LH44E-132	13,200	14,500	2,730	5	2.8	312	1.4	316	3.1	196	1.7	194	23.5	4500	150

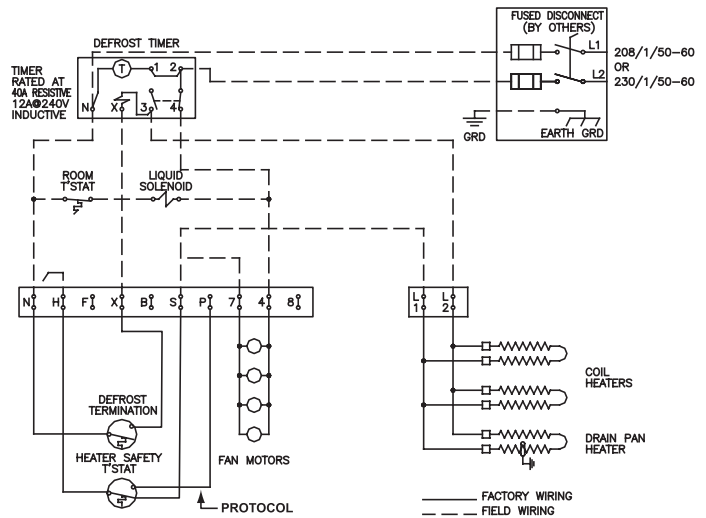
\*Note: Refer to Air Defrost chart above for Electric Defrost dimensions.

## Wiring Diagrams

### Air Defrost Wiring



### Electric Defrost Wiring 208-230/1/50-60



# GH/GL Series Unit Coolers

## Standard Features

Ideal for medium temperature low air circulation applications in spaces above +20°F

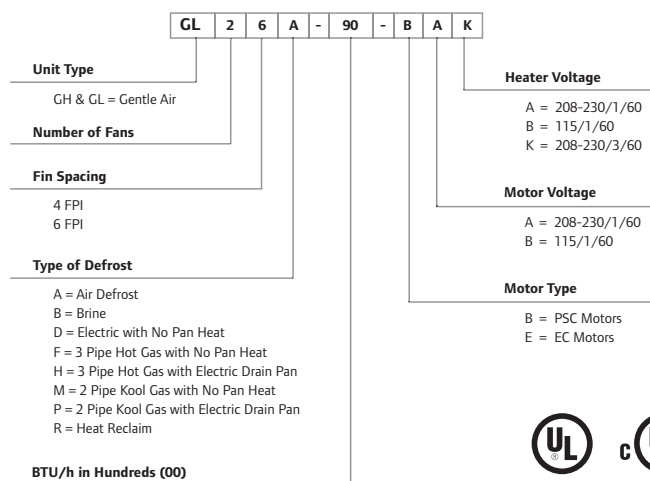
### Standard Features

- Ten inch diameter aluminum fans, direct driven at 1550 RPM, blow air uniformly through twin coils creating a low velocity “umbrella” air distribution.
- Low and high silhouette models may be installed level and tight to ceiling. Hanger rods and TEV are internal resulting in a clean appearance.
- High efficiency coils, four rows deep with 3/8” diameter staggered copper tubes are mechanically expanded into corrugated aluminum fins spaced by tube collars. Direct expansion circuiting for halocarbon refrigerants is standard.
- Serviceable, textured aluminum housing features hinged orifice drain pan, pitched to drain condensate at end of unit.
- PSC fan motors have internal overheat protection and lifetime lubricated bearings. Motor output is 26 watts and is suitable for 115 or 208/230/1/50/60 voltages.
- Low sound levels range from 53 decibels generated by one fan units to 60 decibels for six fan units, as measured on the “A” scale, six feet horizontally from the center of the unit.
- Capacity ratings are sensible heat removal with externally equalized TEV fed medium frosted coil. Fan motor heat is not included in rating. Add 368 BTUH per fan to room load. Derate 12% for 50 HERTZ (BTUH x .088) or increase TD to compensate for lower fan RPM.

### Optional Features

- Insulated drain pan construction.
- Copper fins or vinyl coated aluminum fins.
- Epoxy coating of entire tube and fin surface.
- Coils circuitred for water or glycol fluids.
- EC motors.

## Model Key



### Optional Accessories

- TEV (Thermostatic Expansion Valve) shipped loose or factory mounted.
- LLSV (Liquid Line Solenoid Valve) loose.
- SLHX (Suction Liquid Heat Exchanger) loose.
- Defrost Time Clock shipped loose.
- Washable Air Inlet Filters (Air Defrost only).

### Defrost Methods

- AIR or OFF-CYCLE for rooms above +34°F.
- ELECTRIC for rooms +20°F and above (coil only – not available with vinyl coated fins or epoxy coated coil)
- GAS (KG-2 pipe) or (HG-3 pipe) for rooms above +32°F.
- GAS (KGE or HGE) with electric drain pan booster heat for rooms +20° to +32°F.

### Specify When Ordering All Models

- Complete model number.
- Refrigerant R22, R404A, or R507.
- Room temperature.
- Optional features.
- Saturated suction temperature.
- Optional accessories.

### Common Replacement Parts

AFTERMARKET PART	PART #
PSC MOTOR 115V ( <i>standard</i> )	4410804
PSC MOTOR 230V ( <i>standard</i> )	4410805
EC MOTOR 115V ( <i>optional</i> )	4410691
EC MOTOR 230V ( <i>optional</i> )	4410692
GL FAN	4780109
GH/LH FAN	4780111
FAN GUARD	4910219
AIR FILTER	4910217



## 3 LH and GH/GL SERIES UNIT COOLERS

Specifications subject to change without notice.

# GH/GL Series Unit Coolers

## Air Defrost Low Velocity Specifications

### GENTLE AIR - 18" HIGH SILHOUETTE - MEDIUM TEMPERATURE

MODEL	CAPACITY (BTUH) @ 10° TD	AIR FLOW (CFM)	CHARGE LBS OF R404A	PSC STAN. MOTOR				EC MOTORS OPTIONAL				DIMENSIONS (IN)			SHIPPING WGT. (LBS)
				115/1/60		230/1/60		115/1/60		230/1/60		L	W	H	
				AMPS	WATTS	AMPS	WATTS	AMPS	WATTS	AMPS	WATTS				
<b>6 Fins per Inch</b>															
GH16A-60	6,000	900	3	0.7	72	0.3	72	0.8	48	0.4	47	31.75	28.75	18.25	130
GH26A-130	13,000	1,800	4	1.3	144	0.6	143	1.6	96	0.8	94	49.75	28.75	18.25	180
GH36A-198	19,800	2,700	6	2.0	217	0.9	215	2.4	144	1.2	142	67.75	28.75	18.25	240
GH46A-270	27,000	3,600	8	2.7	289	1.3	287	3.2	192	1.6	189	85.75	28.75	18.25	320
GH56A-340	34,000	4,500	9	3.4	361	1.6	359	3.9	241	2.0	236	103.75	28.75	18.25	370
GH66A-410	41,000	5,400	11	4.0	433	1.9	430	4.7	289	2.4	283	121.75	28.75	18.25	420
<b>4 Fins per Inch</b>															
GH14A-50	5,000	940	3	0.7	72	0.3	72	0.8	48	0.4	47	31.75	28.75	18.25	120
GH24A-100	10,000	1,880	4	1.3	144	0.6	143	1.6	96	0.8	94	49.75	28.75	18.25	170
GH34A-150	15,000	2,820	6	2.0	217	0.9	215	2.4	144	1.2	142	67.75	28.75	18.25	230
GH44A-200	20,000	3,760	8	2.7	289	1.3	287	3.2	192	1.6	189	85.75	28.75	18.25	310
GH54A-250	25,000	4,700	9	3.4	361	1.6	359	3.9	241	2.0	236	103.75	28.75	18.25	360
GH64A-300	30,000	5,640	11	4.0	433	1.9	430	4.7	289	2.4	283	121.75	28.75	18.25	410

### GENTLE AIR - 12" LOW SILHOUETTE - MEDIUM TEMPERATURE

MODEL	CAPACITY (BTUH) @ 10° TD	AIR FLOW (CFM)	CHARGE LBS OF R404A	PSC STAN. MOTOR				EC MOTORS OPTIONAL				DIMENSIONS (IN)			SHIPPING WGT. (LBS)
				115/1/60		230/1/60		115/1/60		230/1/60		L	W	H	
				AMPS	WATTS	AMPS	WATTS	AMPS	WATTS	AMPS	WATTS				
<b>6 Fins per Inch</b>															
GL16A-45	4,500	600	2	0.7	72	0.3	72	0.8	48	0.4	47	31.75	28.75	12.25	100
GL26A-90	9,000	1,200	3	1.3	144	0.6	143	1.6	96	0.8	94	49.75	28.75	12.25	140
GL36A-135	13,500	1,800	4	2.0	217	0.9	215	2.4	144	1.2	142	67.75	28.75	12.25	190
GL46A-180	18,000	2,400	5	2.7	289	1.3	287	3.2	192	1.6	189	85.75	28.75	12.25	250
GL56A-225	22,500	3,000	5	3.4	361	1.6	359	3.9	241	2.0	236	103.75	28.75	12.25	290
GL66A-268	26,800	3,600	6	4.0	433	1.9	430	4.7	289	2.4	283	121.75	28.75	12.25	340
<b>4 Fins per Inch</b>															
GL14A-35	3,500	630	2	0.7	72	0.3	72	0.8	48	0.4	47	31.75	28.75	12.25	90
GL24A-70	7,000	1,260	3	1.3	144	0.6	143	1.6	96	0.8	94	49.75	28.75	12.25	130
GL34A-105	10,500	1,890	4	2.0	217	0.9	215	2.4	144	1.2	142	67.75	28.75	12.25	180
GL44A-140	14,000	2,520	5	2.7	289	1.3	287	3.2	192	1.6	189	85.75	28.75	12.25	240
GL54A-175	17,500	3,150	5	3.4	361	1.6	359	3.9	241	2.0	236	103.75	28.75	12.25	280
GL64A-210	21,000	3,780	6	4.0	433	1.9	430	4.7	289	2.4	283	121.75	28.75	12.25	330

# GH/GL Series Unit Coolers

## Electric Defrost Low Velocity Specifications

### GENTLE AIR - 18" HIGH SILHOUETTE - MEDIUM TEMPERATURE

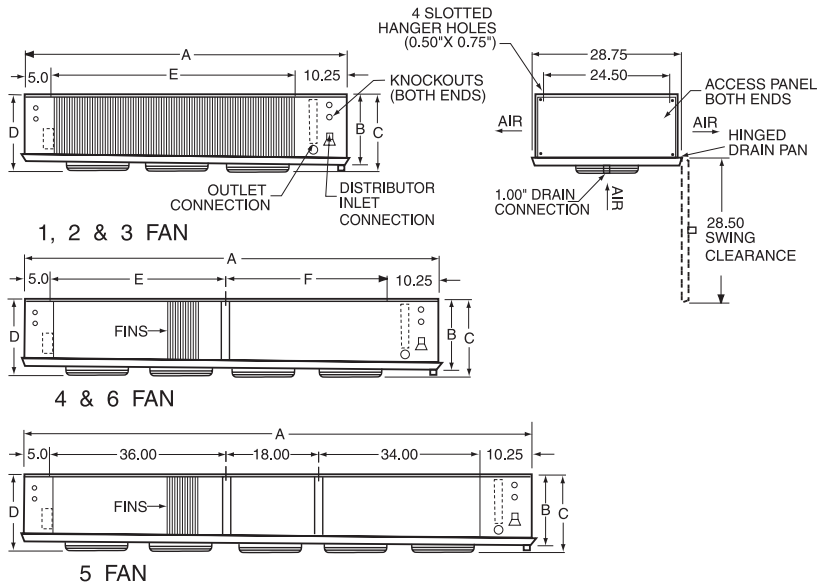
MODEL	CAPACITY (BTUH) @ 10° TD	AIR FLOW (CFM)	CHARGE LBS OF R404A	PSC STAN. MOTOR				EC MOTORS OPTIONAL				HEATERS		DIMENSIONS (IN)			SHIPPING WGT. (LBS)
				115/1/60		230/1/60		115/1/60		230/1/60		230/1		L	W	H	
				AMPS	WATTS	AMPS	WATTS	AMPS	WATTS	AMPS	WATTS	AMPS	WATTS				
<b>6 Fins per Inch</b>																	
GH16D-60	6,000	900	3	0.4	43	0.2	50	0.4	24	0.2	24	7.0	1600	31.75	28.75	18.25	130
GH26D-130	13,000	1,800	4	0.8	86	0.5	101	0.7	47	0.4	49	13.9	3200	49.75	28.75	18.25	180
GH36D-198	19,800	2,700	6	1.2	129	0.7	151	1.1	71	0.6	73	20.9	4800	67.75	28.75	18.25	240
GH46D-270	27,000	3,600	8	1.6	172	0.9	202	1.5	95	0.8	98	27.8	6400	85.75	28.75	18.25	320
GH56D-340	34,000	4,500	9	2.0	216	1.1	252	1.8	119	1.0	122	34.8	8000	103.75	28.75	18.25	370
GH66D-410	41,000	5,400	11	2.4	256	1.4	302	2.2	142	1.2	146	3 Phase Only		121.75	28.75	18.25	420
<b>4 Fins per Inch</b>																	
GH14D-50	5,000	940	3	0.4	43	0.2	50	0.4	24	0.2	24	7.0	1600	31.75	28.75	18.25	120
GH24D-100	10,000	1,880	4	0.8	86	0.5	101	0.7	47	0.4	49	13.9	3200	49.75	28.75	18.25	170
GH34D-150	15,000	2,820	6	1.2	129	0.7	151	1.1	71	0.6	73	20.9	4800	67.75	28.75	18.25	230
GH44D-200	20,000	3,760	8	1.6	172	0.9	202	1.5	95	0.8	98	27.8	6400	85.75	28.75	18.25	310
GH54D-250	25,000	4,700	9	2.0	216	1.1	252	1.8	119	1.0	122	34.8	8000	103.75	28.75	18.25	360
GH64D-300	30,000	5,640	11	2.4	256	1.4	302	2.2	142	1.2	146	3 Phase Only		121.75	28.75	18.25	410

### GENTLE AIR - 12" LOW SILHOUETTE - MEDIUM TEMPERATURE

MODEL	CAPACITY (BTUH) @ 10° TD	AIR FLOW (CFM)	CHARGE LBS OF R404A	PSC STAN. MOTOR				EC MOTORS OPTIONAL				HEATERS		DIMENSIONS (IN)			SHIPPING WGT. (LBS)
				115/1/60		230/1/60		115/1/60		230/1/60		230/1		L	W	H	
				AMPS	WATTS	AMPS	WATTS	AMPS	WATTS	AMPS	WATTS	AMPS	WATTS				
<b>6 Fins per Inch</b>																	
GL16D-45	4,500	600	2	0.4	43	0.2	50	0.4	24	0.2	24	3.5	800	31.75	28.75	12.25	100
GL26D-90	9,000	1,200	3	0.8	86	0.5	101	0.7	47	0.4	49	7.0	1600	49.75	28.75	12.25	140
GL36D-135	13,500	1,800	4	1.2	129	0.7	151	1.1	71	0.6	73	10.4	2400	67.75	28.75	12.25	190
GL46D-180	18,000	2,400	5	1.6	172	0.9	202	1.5	95	0.8	98	13.9	3200	85.75	28.75	12.25	250
GL56D-225	22,500	3,000	5	2.0	216	1.1	252	1.8	119	1.0	122	17.4	4000	103.75	28.75	12.25	290
GL66D-268	26,800	3,600	6	2.4	256	1.4	302	2.2	142	1.2	146	20.9	4800	121.75	28.75	12.25	340
<b>4 Fins per Inch</b>																	
GL14D-35	3,500	630	2	0.4	43	0.2	50	0.4	24	0.2	24	3.5	800	31.75	28.75	12.25	90
GL24D-70	7,000	1,260	3	0.8	86	0.5	101	0.7	47	0.4	49	7.0	1600	49.75	28.75	12.25	130
GL34D-105	10,500	1,890	4	1.2	129	0.7	151	1.1	71	0.6	73	10.4	2400	67.75	28.75	12.25	180
GL44D-140	14,000	2,520	5	1.6	172	0.9	202	1.5	95	0.8	98	13.9	3200	85.75	28.75	12.25	240
GL54D-175	17,500	3,150	5	2.0	216	1.1	252	1.8	119	1.0	122	17.4	4000	103.75	28.75	12.25	280
GL64D-210	21,000	3,780	6	2.4	256	1.4	302	2.2	142	1.2	146	20.9	4800	121.75	28.75	12.25	330

# GH/GL Series Unit Coolers

## Dimensional Data

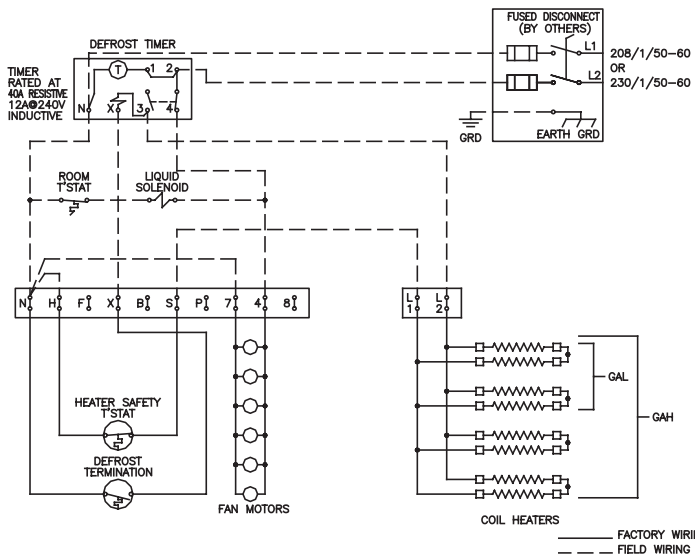


UNIT DIMENSIONS						
SIZE	A	B	C	D	E	F
GH-1 FAN	31.75	16.50	18.25	17.38	16.00	-
GH-2 FAN	49.75	16.50	18.25	17.38	34.00	-
GH-3 FAN	67.75	16.50	18.25	17.38	52.00	-
GH-4 FAN	85.75	16.50	18.28	17.38	36.00	34.00
GH-5 FAN	103.75	16.50	18.25	17.38	-	-
GH-6 FAN	121.75	16.50	18.25	17.38	54.00	52.00
GL-1 FAN	31.75	10.50	12.25	11.38	16.00	-
GL-2 FAN	49.75	10.50	12.25	11.38	34.00	-
GL-3 FAN	67.75	10.50	12.25	11.38	52.00	-
GL-4 FAN	85.75	10.50	12.25	11.38	36.00	34.00
GL-5 FAN	103.75	10.50	12.25	11.38	-	-
GL-6 FAN	121.75	10.50	12.25	11.38	54.00	52.00

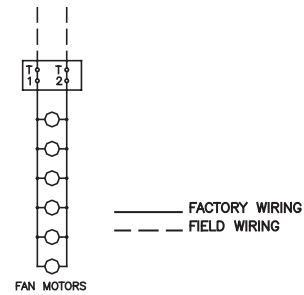
Note: Dimensions in inches.

## Wiring Diagrams

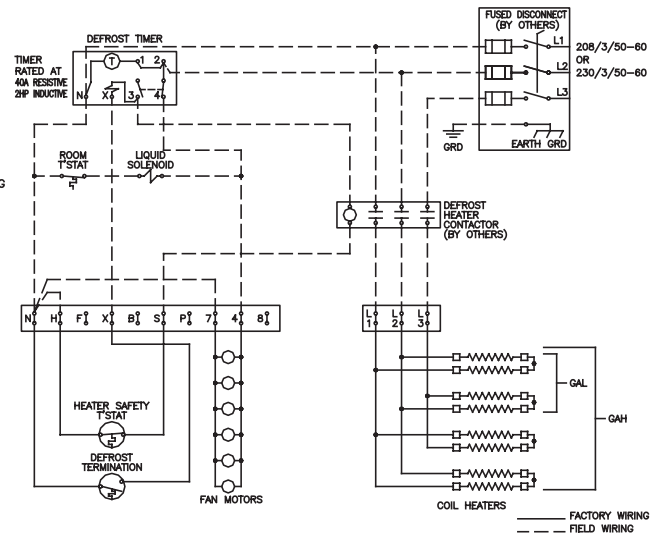
### Electric Defrost Wiring 208-230/1/50-60



### Air Defrost Wiring



### Electric Defrost Wiring 208-230/3/50-60





**Krack Corporation**

1300 North Arlington Heights Rd., Suite 130  
Itasca, IL 60143  
Ph: 630.629.7500

[krack.com](http://krack.com)